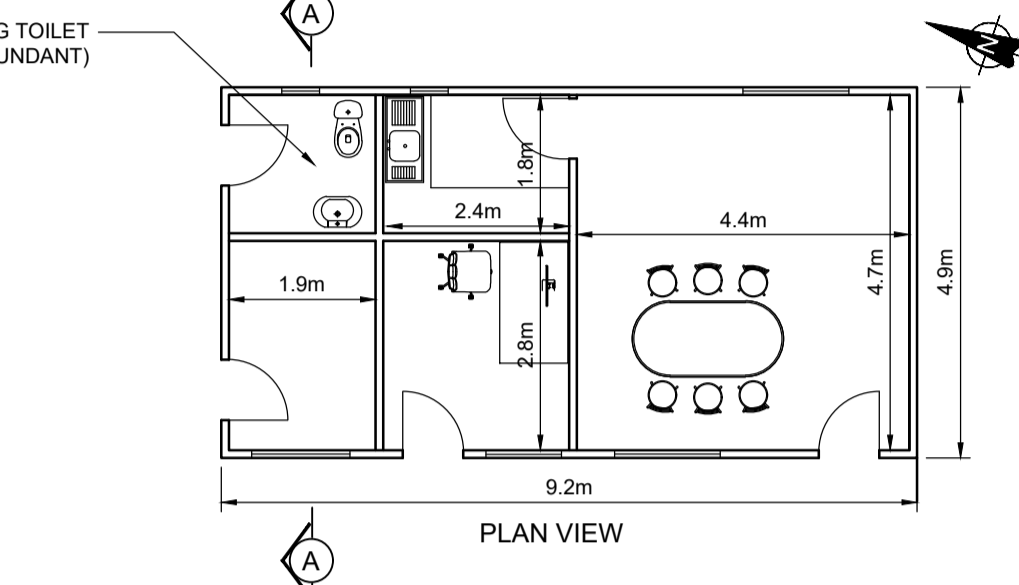
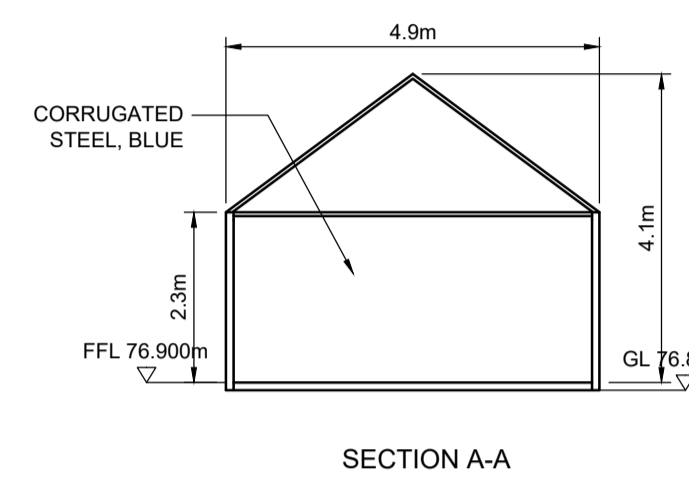
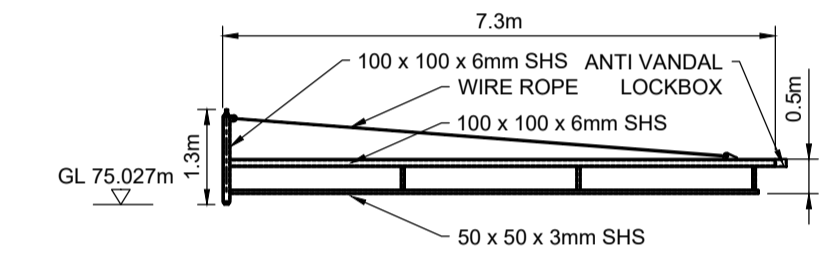
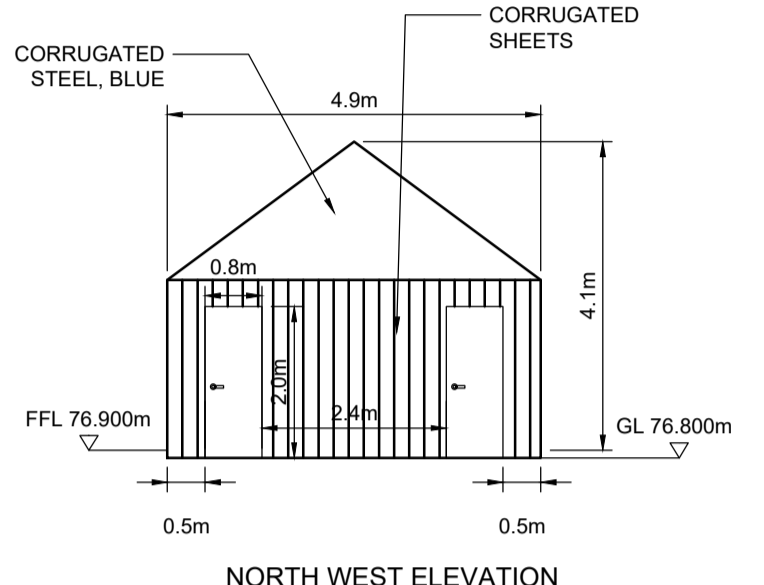


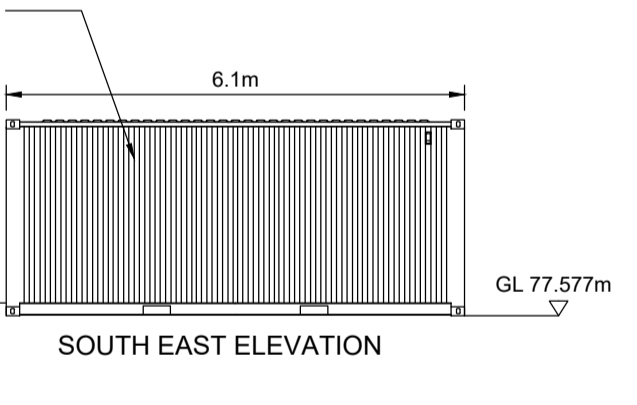
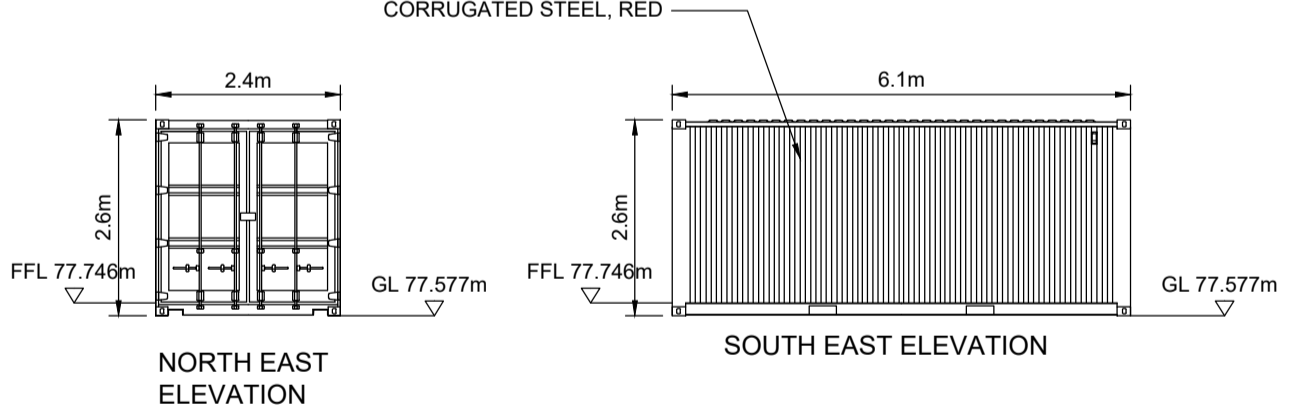
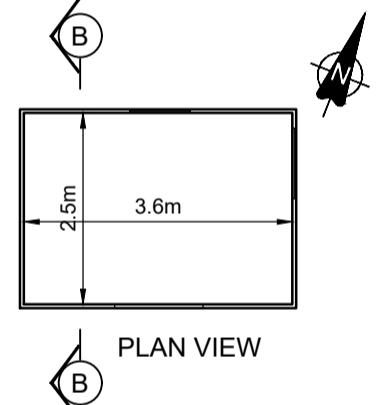
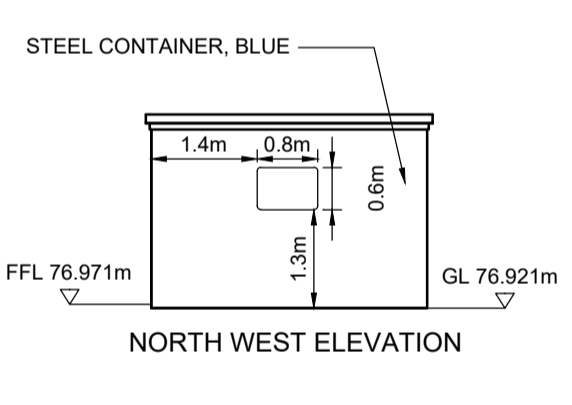
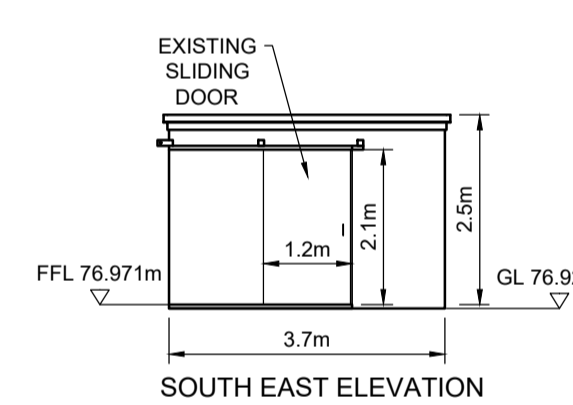
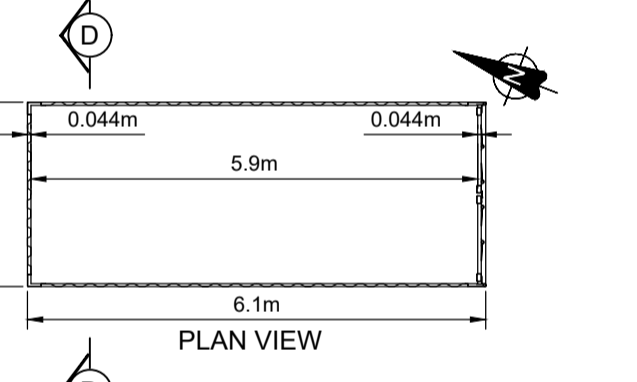
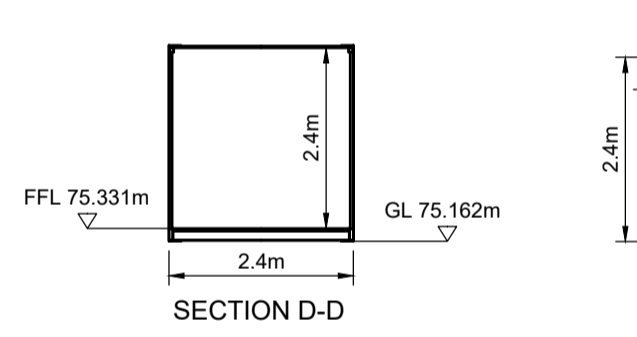
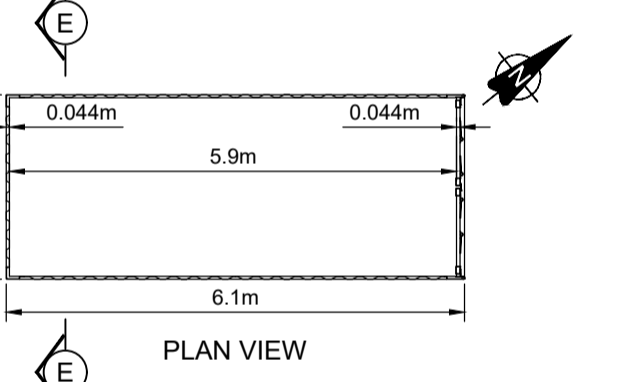
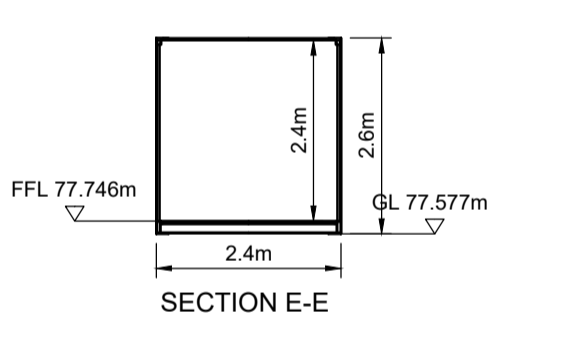
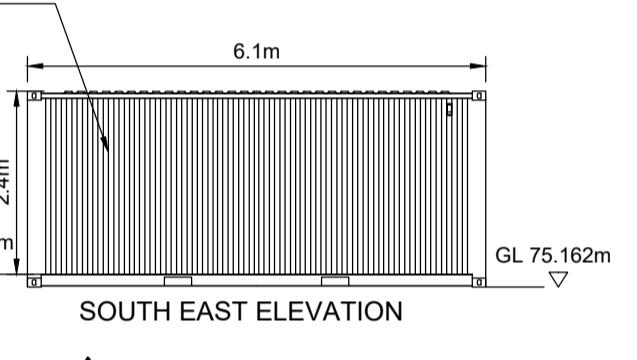
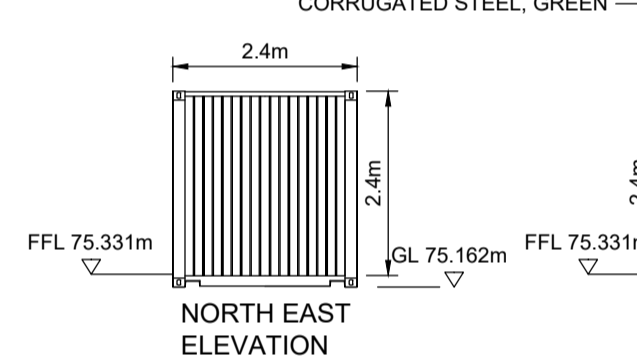
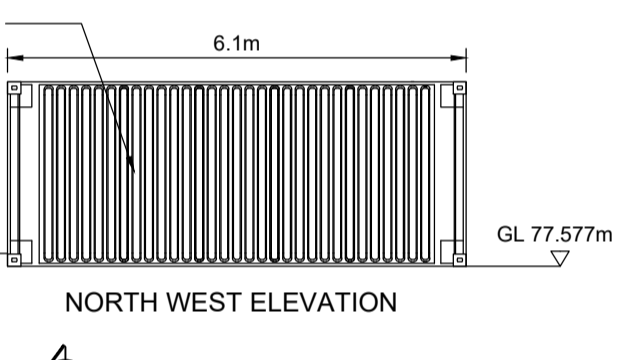
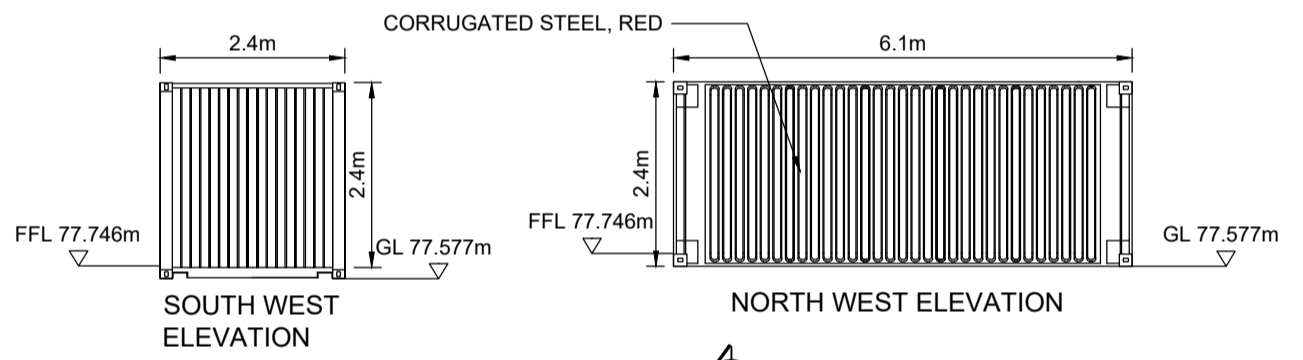
STORAGE CONTAINER BB01  
SCALE 1:100



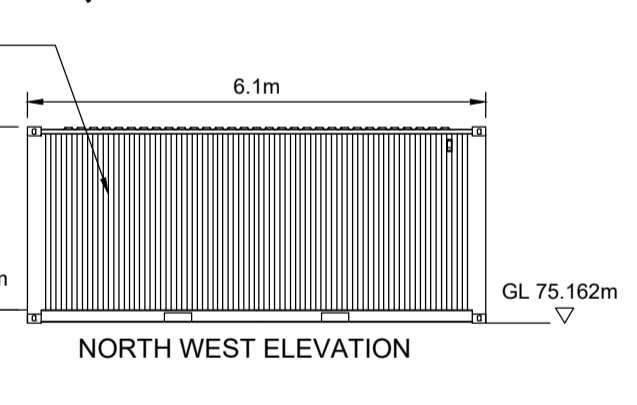
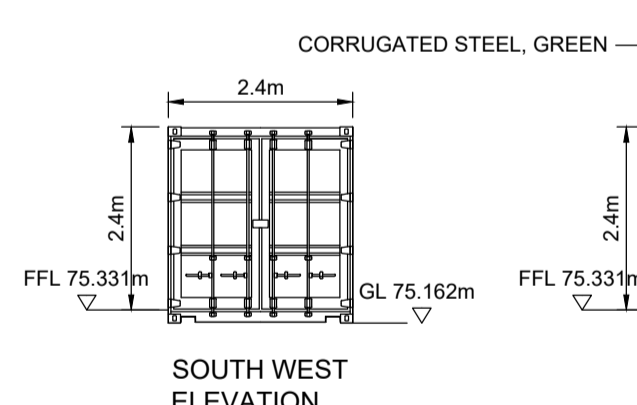
EXISTING WELFARE FACILITY  
SCALE 1:100



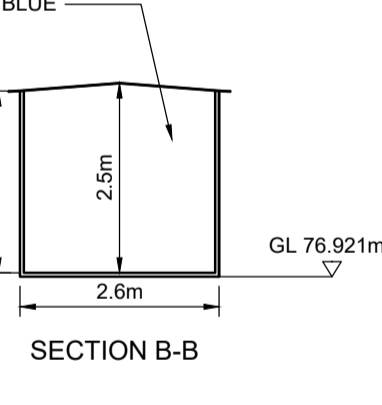
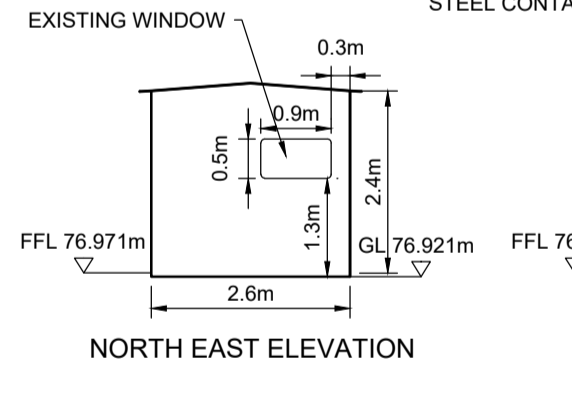
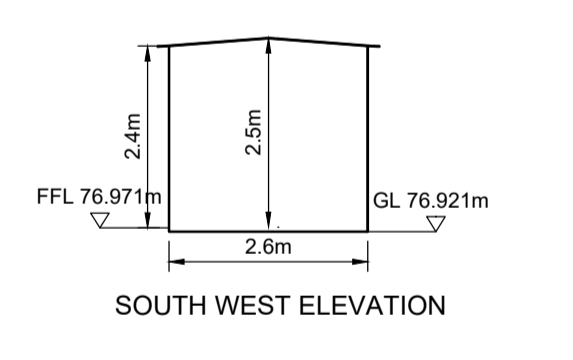
SITE ENTRANCE GATE  
SCALE 1:100



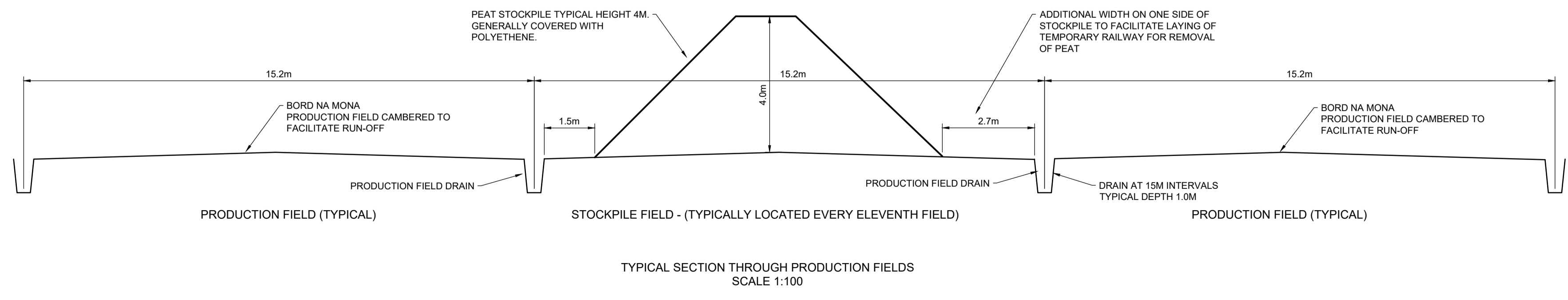
STORAGE CONTAINER BB02  
SCALE 1:100



STORAGE CONTAINER BB03  
SCALE 1:100



STORAGE CONTAINER BB04  
SCALE 1:100



- NOTES:
1. THIS DRAWING IS FOR PLANNING APPLICATION PURPOSES ONLY.
  2. DRAWING NOT TO BE SCALED. FIGURED DIMENSIONS ONLY TO BE USED.
  3. ALL LEVELS TO MALIN HEAD METRES ABOVE DATUM

REVISION	By	Date	Chkd

Project: **SUBSTITUTE CONSENT APPLICATION BALLYBEG BOG, CO OFFALY**

Title: **BUILDINGS AND STRUCTURES**

Dimensions in METRES  
Scale: 1/100 @ A1

Drawn By: CG 01/04/2020  
Checked By: PN 08/04/2020  
Approved By: DK 15/04/2020

**BORD NA MÓNA**  
Naturally Driven  
Bord Na Móna Engineering Department  
LEABEG, TULLAMORE CO. OFFALY  
Tel: 057 9345900 Fax: 057 9345160

Drawing No: SC-0501-BB-DR05  
Revision: 0  
Sheet 1 of 2